

Features:

- High frequency, double conversion online technology
- Rotatable LCD – suitable for 19" rack or slim tower
- Fully digitised DSP control
- Wide input voltage range
- Cold start and programmable auto re-start functions
- Advanced battery management
- Selectable ECO mode for high efficiency operation
- Automatic battery charge in UPS off mode
- Lightning and surge protection
- Short circuit and overload protection
- Automatic fan speed control with load variation
- Emergency Power Off facility
- Smart RS232 and USB comms with monitoring software
- Optional relay or SNMP communications card
- Matching EER+ battery packs available

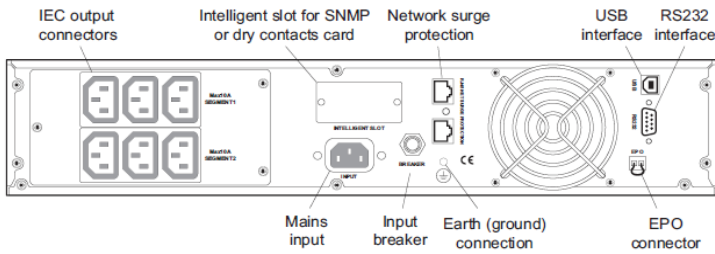


Specifications

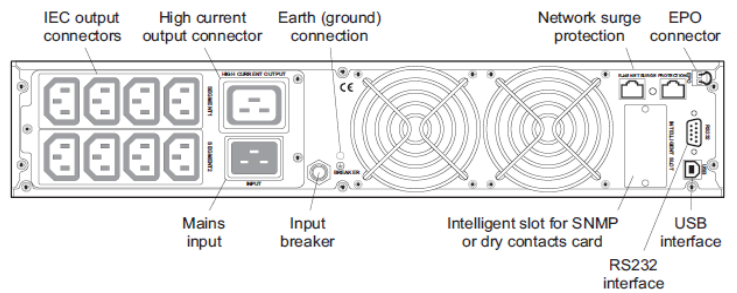
UPS Model	AP201R+	AP202R+	AP203R+	AP203RS+	
Capacity	1kVA/900W	2kVA/1.8kW	3kVA/2.7kW	3kVA/2.7kW	
Topology	True Online				
Input	Nominal Voltage	208/220/230/240VAC			
	Voltage Range	160-300VAC			
	Phase	Single Phase			
	Frequency	50/60Hz/Auto Sensing			
	Power Factor	>0.98			
Output	Voltage	208/220/230/240 ±1%			
	Phase	Single Phase			
	Power Factor	0.9pf			
	Frequency Range	50-60Hz ±0.02Hz			
	THD (Linear Load)	<3%			
	THD (Non-Linear Load)	<5%			
	Efficiency (Online)	>88%			
	Overload Capability	105-110% 10min/111-130% 1min/>130% 3sec			
	Crest Factor	3:1			
	Short Circuit Protection	Yes			
	Waveform	Sine Wave			
	Transfer Time	0ms			
Connections	IEC-C13 x 6	IEC-C13 x 8; IEC-C19 x 1			
Parallel	Parallel Capable	No			
	Max. Parallel Units	N/A			
Battery	Battery Model	S12-9U			
	DC Voltage	36VDC	72VDC	72VDC	72VDC
	Battery Type & Qty	3x 12V / 9Ah	6x 12V / 9Ah	6x 12V / 9Ah	6x 12V / 9Ah
	Backup At Half Load	14min	14min	8min	8min
	Backup At Full Load	5min	5min	3min	3min
	Charge Current	1A			
	Recharge Time	90% capacity after 5hrs			
	Battery Pack	APB201+	APB202+	APB203+	APBS203+
Max. Battery Pack Qty	4	4	4	4	

Specifications

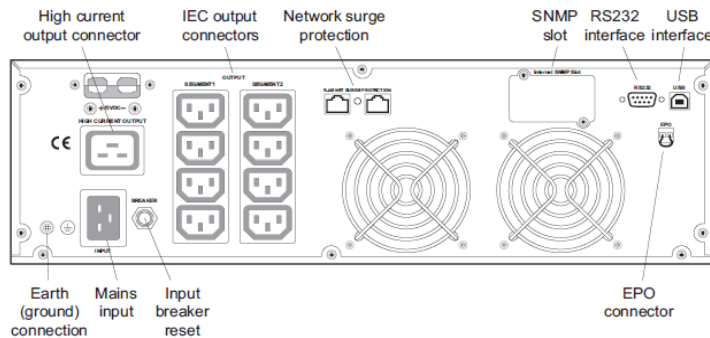
UPS Model		AP201R+	AP202R+	AP203R+	AP203RS+
Environment	Operating Temperature	0-40°C			
	Relative Humidity	0-90%			
	Altitude	<1500m			
	Storage Temperature	- 25°C - +55°C			
	Noise Level	<55dB	<55dB	<55dB	<55dB
	Heat Loss	0.12kW	0.22kW	0.33kW	0.33kW
Communication	Standard	Standard RS232/USB			
	SNMP	SNMP/1-MINI (Optional)			
	Dry Contact Relays	RELAY/1-MINI (Optional)			
	Network Surge Protection	Yes			
Display	LCD Display	Yes			
	LED Indication	Yes			
Safety and EMC		IEC62040-1; IEC62040-2; IEC62040-3; CE			
Weights & Dims	Net Weight	19kg	34kg	34kg	31.1kg
	Dimensions (H x W x D)	86.5 x 440 x 430 mm	86.5 x 440 x 690 mm	86.5 x 440 x 690 mm	131 x 440 x 520 mm
Standard Accessories	User Manual	Software/IO Leads/Data Leads/ O&M Manual			
	Control Software	With SNMP Card			
	Input Lead	3 pin UK mains	3 pin UK mains	3 pin UK mains	3 pin UK mains
	Output Leads	IEC-C13 x 3	IEC-C13 x 3	IEC-C13 x 3	IEC-C13 x 3
	Data Leads	RS232 & USB	RS232 & USB	RS232 & USB	RS232 & USB



AP201R+



AP202R+ / AP203R+



AP203RS+